

# POLYCARBONATE pH ELECTRODE

## PRODUCT SPECIFICATION SHEET

The basic electrode in a polycarbonate body, offer a lower cost alternative to epoxy body pH electrodes. Choose them for general purpose lab applications, pool and spa pH and chlorine control and more.

A newly designed tip offers good protection while maintaining optimum flow through the slots in the body. The pH model is shipped in a soaker bottle and are ready for immediate use. The gell-filled sealed reference provides maintenance-free operation. RoHS compliant, the electrode is built using lead-free glass and lead-free solder. Standard version is supplied in a clear Polycarbonate body. (Black body version is available upon request)

### Neomeris pH Pool Basic



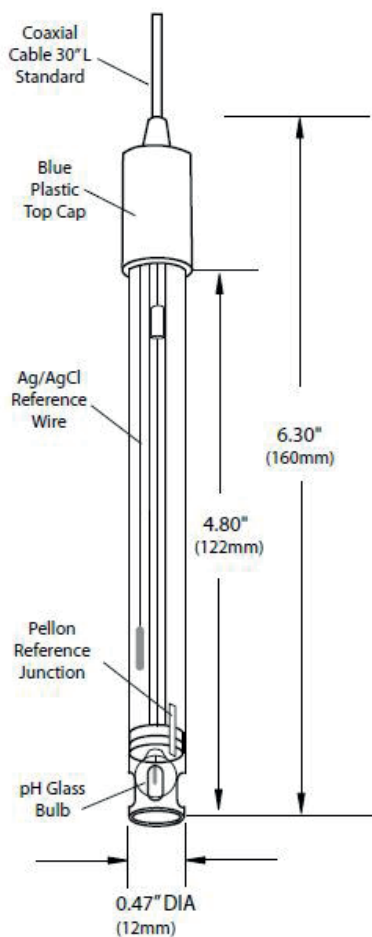
pH

Spezifikation	
<b>pH Measuring Range</b>	0-14 pH Na+ error >12.3 pH)
<b>Diameter</b>	12mm
<b>Electrode length</b>	122mm (total 160mm)
<b>Wetted Materials</b>	Polycarbonate, Silicone, pH Glass (bulp)
<b>Junction</b>	single or double
<b>Junction Material</b>	Pellon
<b>Max Temperature</b>	60 degrees C
<b>Max Pressure</b>	3 bar (50 psig)
<b>Cable Length</b>	1 Meter
<b>Connectors</b>	BNC
<b>Response Speed pH</b>	>90% in 1 second
<b>BNC Connector Cover</b>	No
<b>Bulp protection</b>	Slots

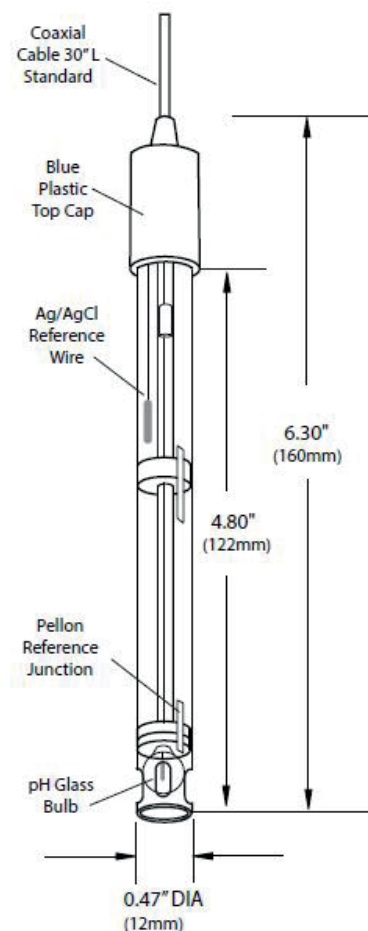
## Product advantages:

- Use with any pH meter
- Durable polycarbonate body construction
- Shipped in soaking solution ready for immediate use
- Available In clear or black bodies(upon request)
- No-Maintenance Gel filled reference
- RoHS Compliant

## Outlines and dimensions



Basic



Basic  
double diaphragm

## Ordering information

Articelnumber	Description
891323	Neomeris pH Pool Basic, 1 meter cable
891324	Neomeris pH Pool Basic, double diaphragm, 1 meter cable